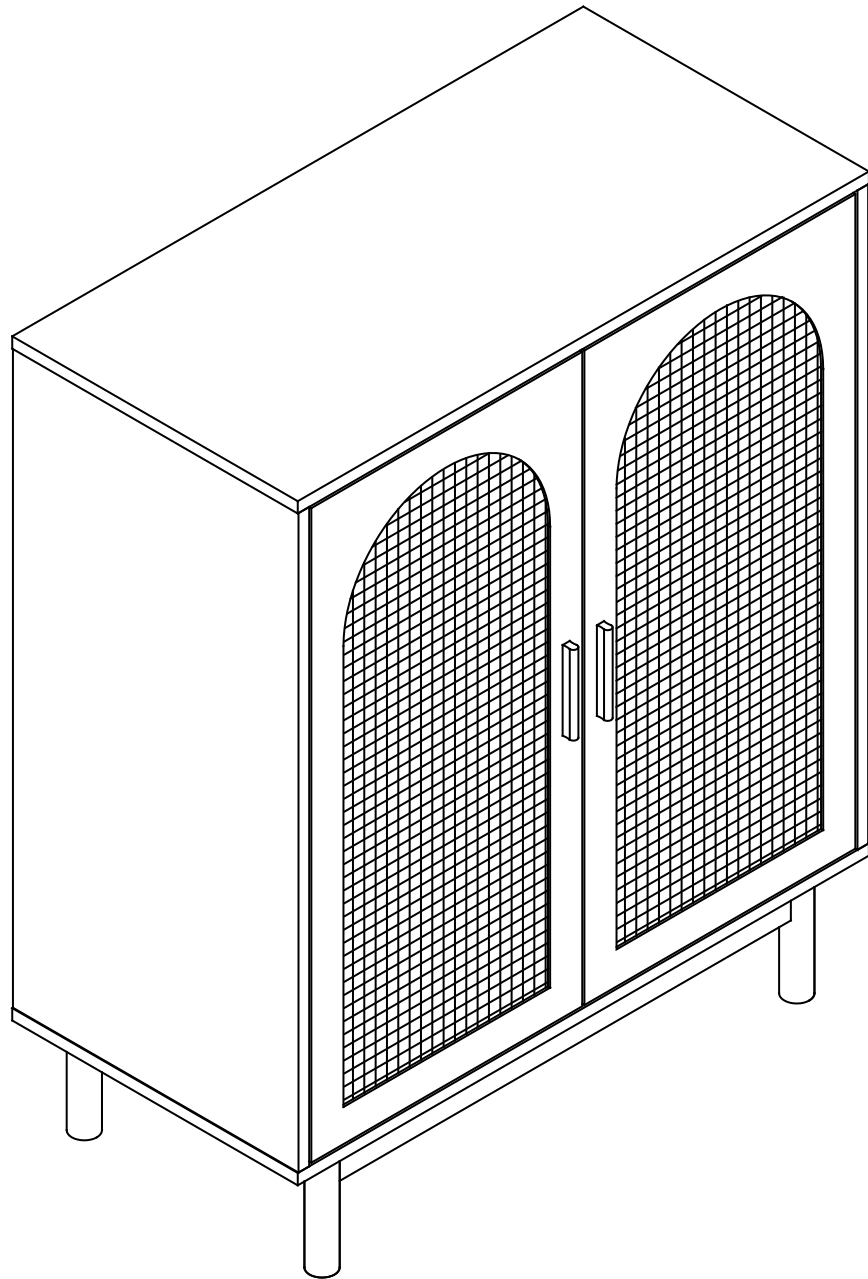


Canyon

Two Door Cabinet

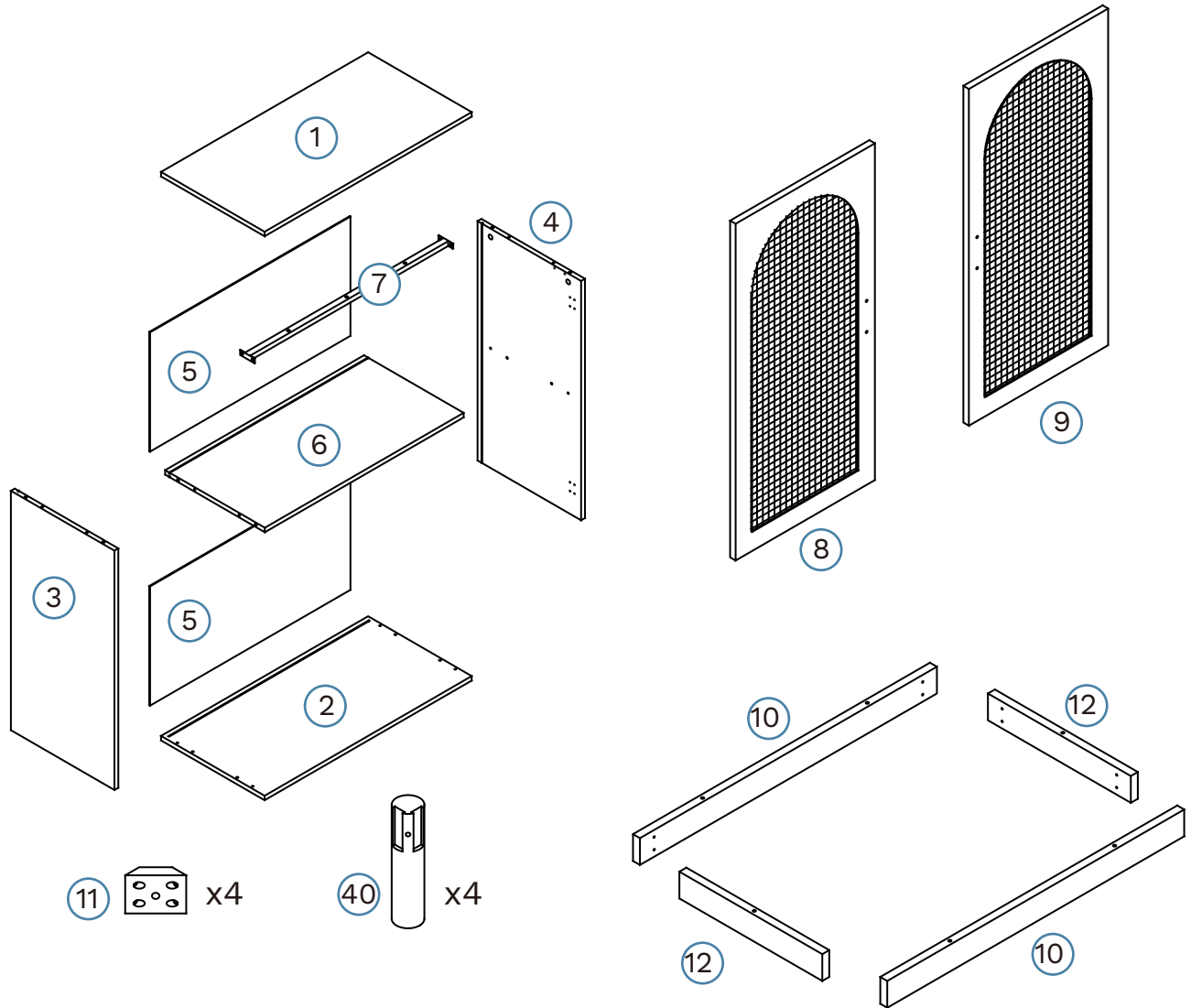
Thank you for your purchase. Please follow the instructions for correct assembly. While we took great effort to ensure these assembly instructions were correct at the time of printing, sometimes updates are required post production. For the most up to date versions please refer to the product page on our website. mocka.com.au/mocka.co.nz



Canyon

Two Door Cabinet

Panel Layout







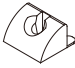







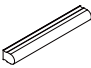



Partlist


①	Top Panel	x1	⑧	Left Door	x1
②	Bottom Panel	x1	⑨	Right Door	x1
③	Left Side Panel	x1	⑩	Rail	x2
④	Right Side Panel	x1	⑪	Rlock	x4
⑤	Back Panel	x2	⑫	Rail	x2
⑥	Shelf panel	x1	④①	leg	x4
⑦	Rail	x1			

Canyon

Two Door Cabinet

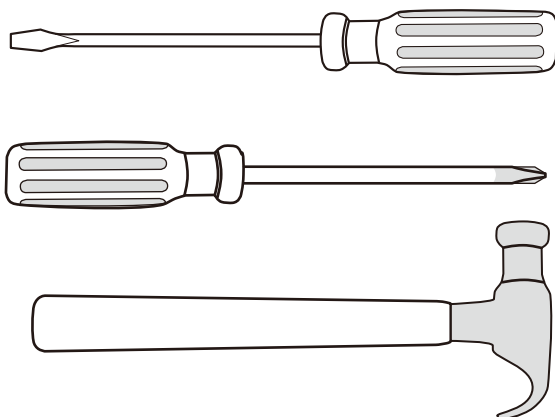
A  dowel x12	B  screw x13	C  bolt x8	D  locking nut x8	E  hinge screw x24	F  bolt x4	G  wedge x8	H  screw x8
I  Allen Key x1	J  washer x4	K  seal x4	L  plastic glide x4	M  hinge x4	N  screw x20	O  handle x2	P  screw x4

HARDWARE SUPPLIED

V  safety strap x1	W  screw x1	X  wall anchor x1	Y  wall screw x1	Z  washer x2
---	--	--	---	---

WALL STRAP

WARNING: Any furniture that is not anchored to a wall has the potential to tip over in certain circumstances, i.e. if a child attempts to climb up on the furniture or in the event of an earthquake. Accordingly, we recommend that all furniture is anchored to a wall. We supply a free safety wall anchor with all furniture sold and we recommend these are used to prevent your product tipping. The fixing device provided should fit most wall types, but please note that different wall materials may require different fixing devices from those supplied.



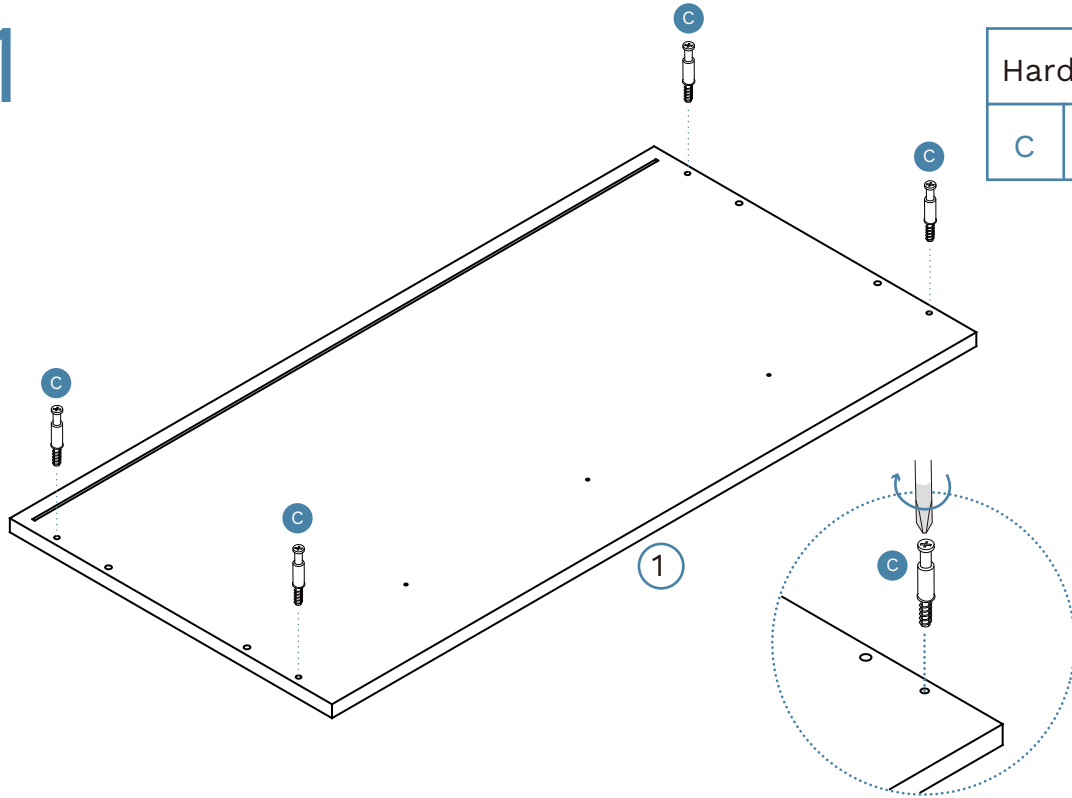
Phillips & Flathead screwdrivers
and hammer required


For quicker assembly, we recommend the use of a power drill on a low-speed setting.

Canyon

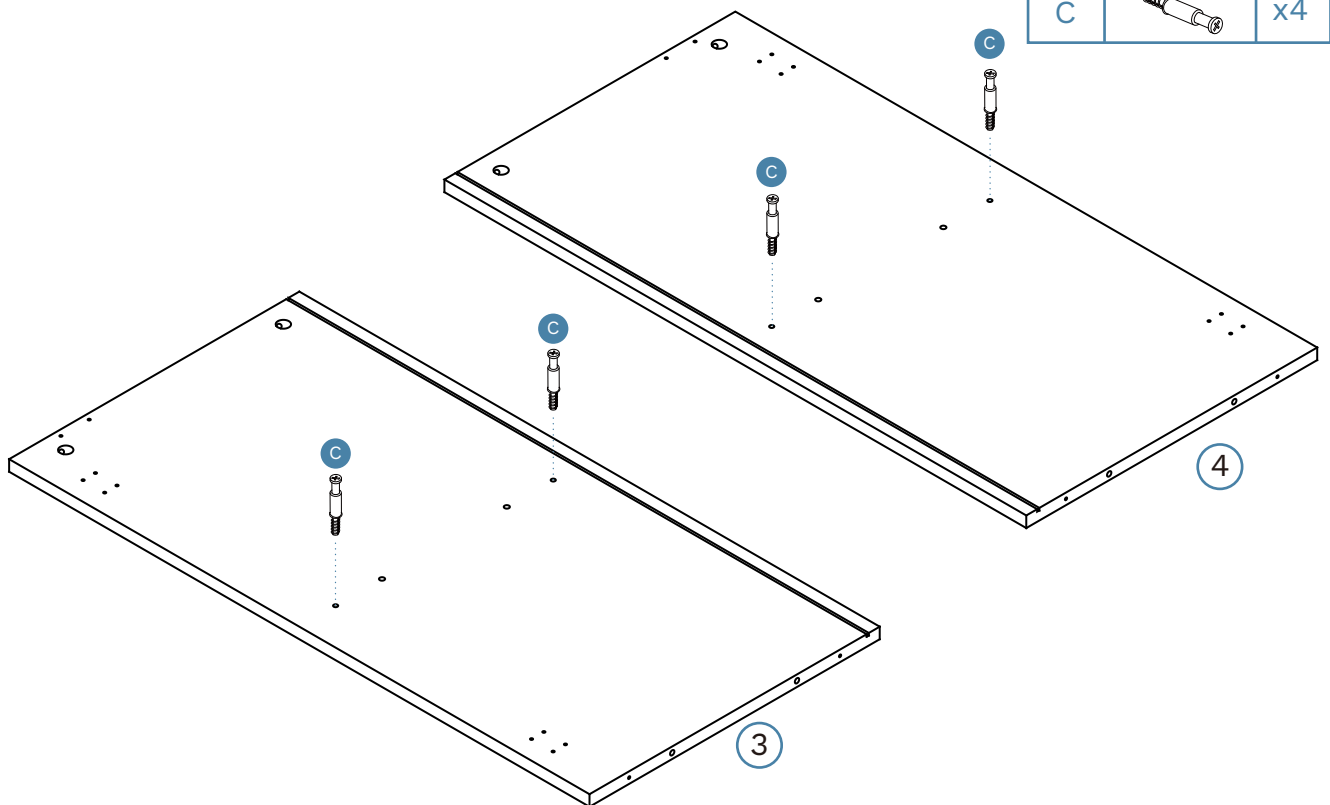
Two Door Cabinet


1



Hardware Needed		
C		x4

2

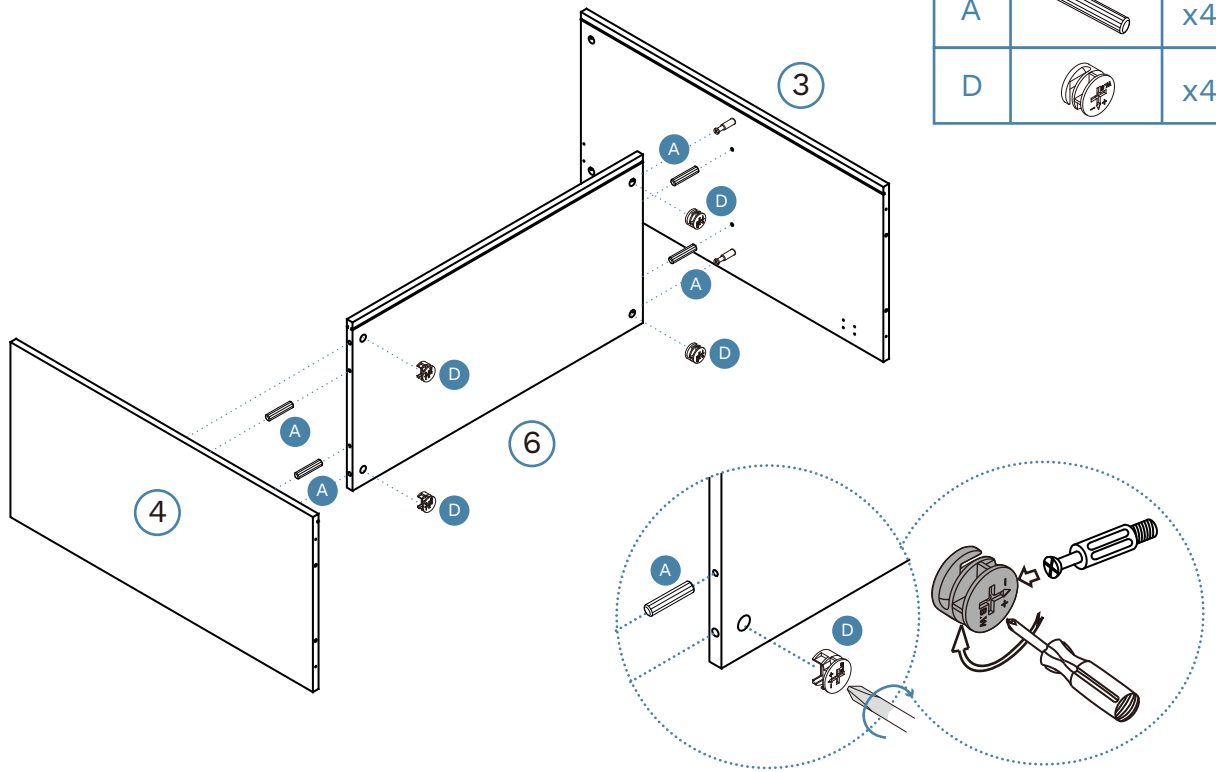


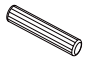

Hardware Needed		
C		x4

Canyon

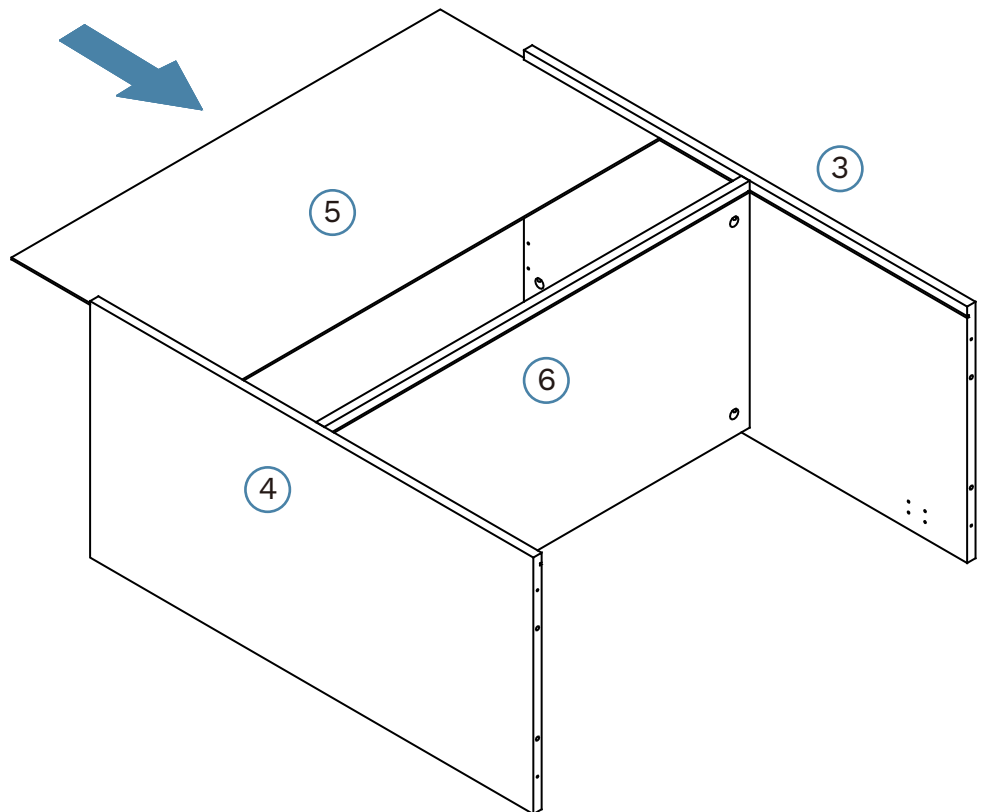
Two Door Cabinet

3



Hardware Needed		
A		x4
D		x4


4

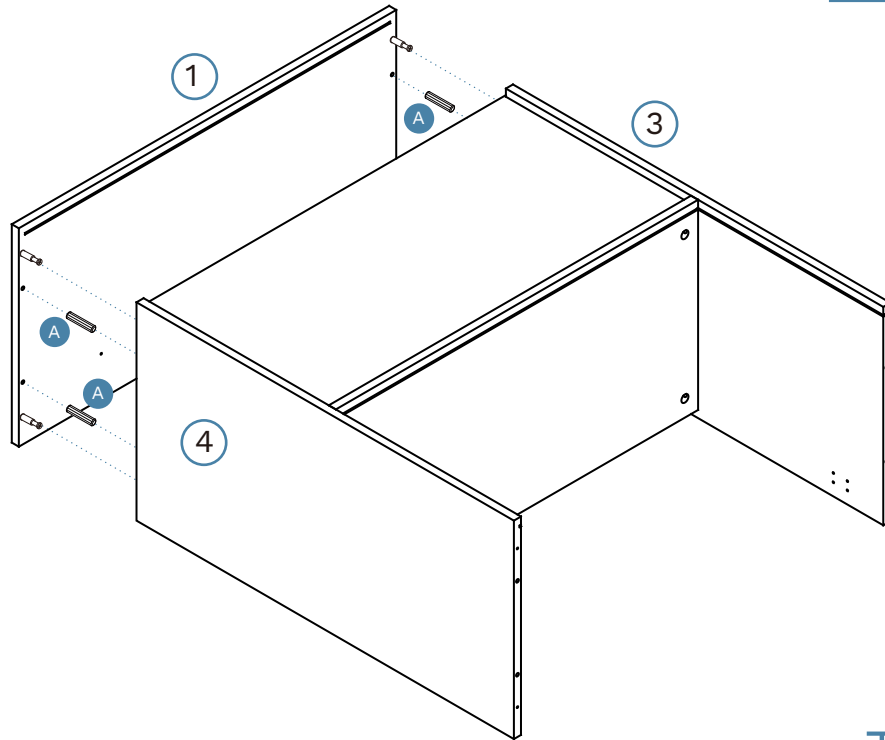


Canyon

Two Door Cabinet


5

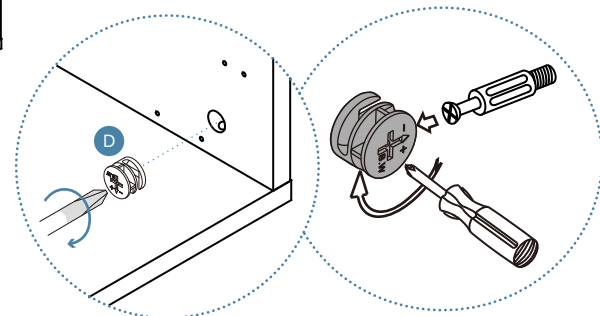
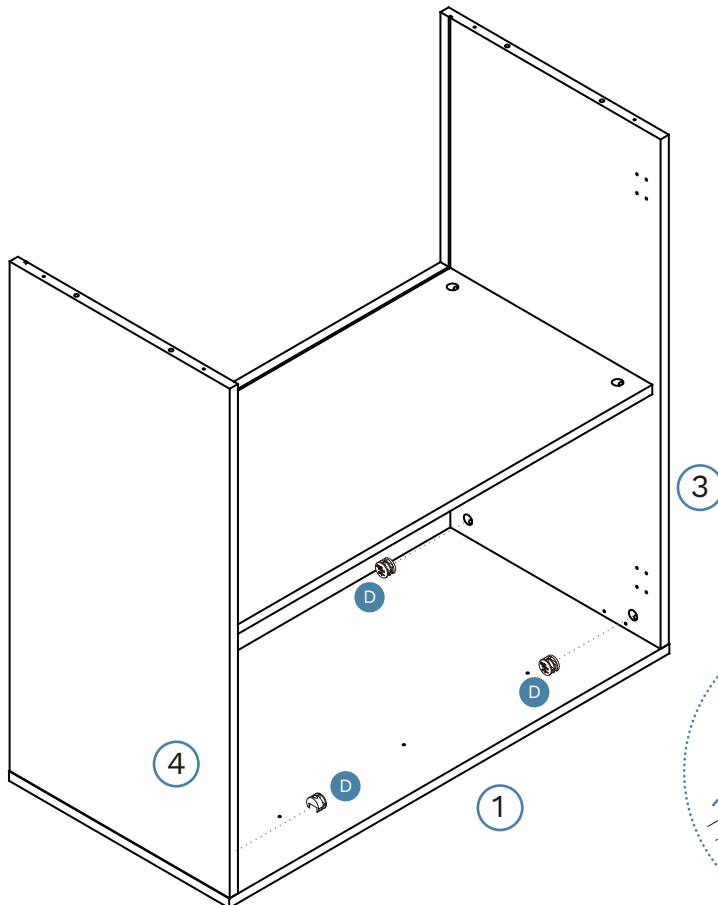
Hardware Needed		
A		x4



Turn Over

6

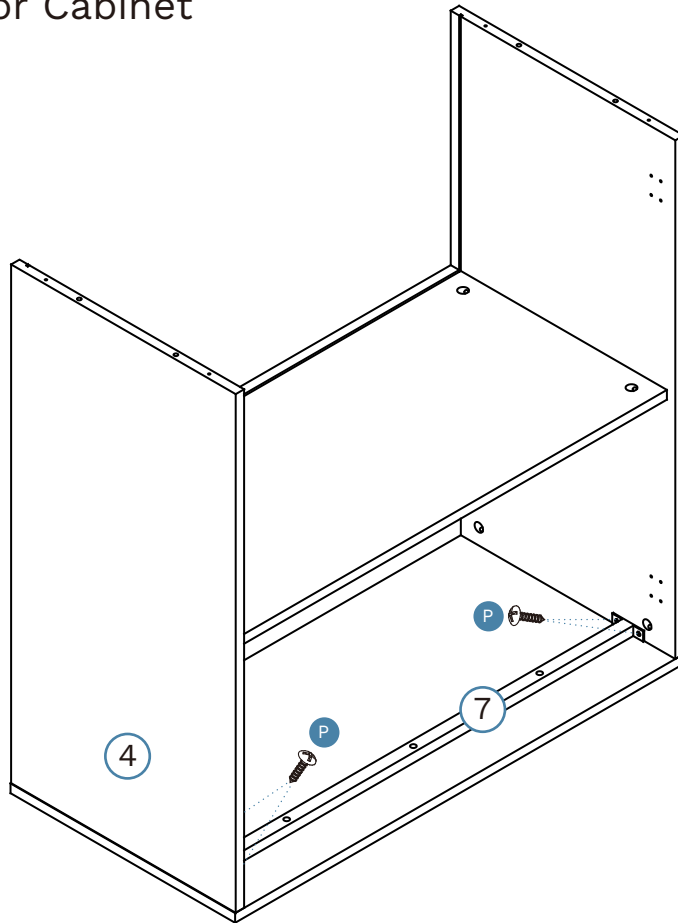
Hardware Needed		
D		x4




Canyon

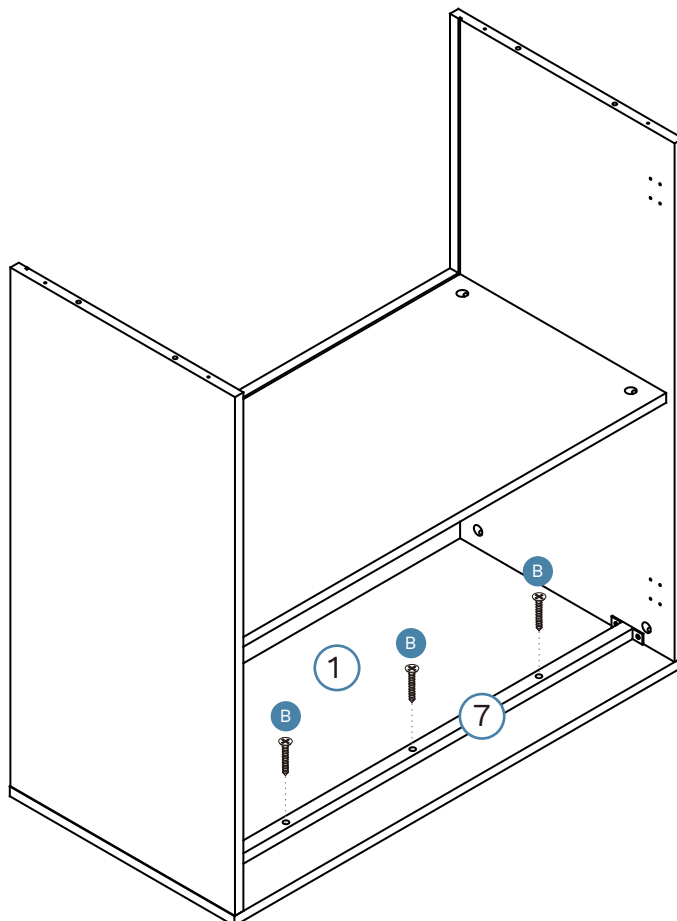
Two Door Cabinet


7



Hardware Needed		
P		x4

8

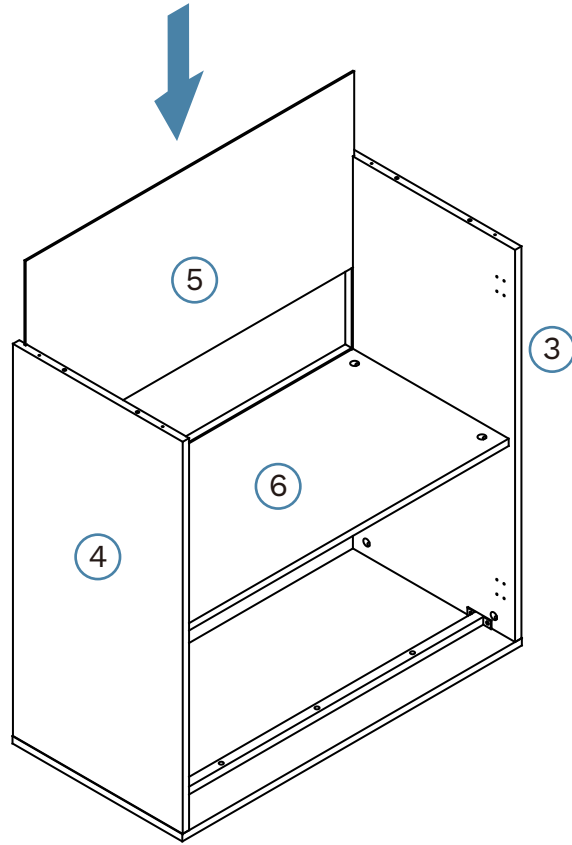


Hardware Needed		
B		x3

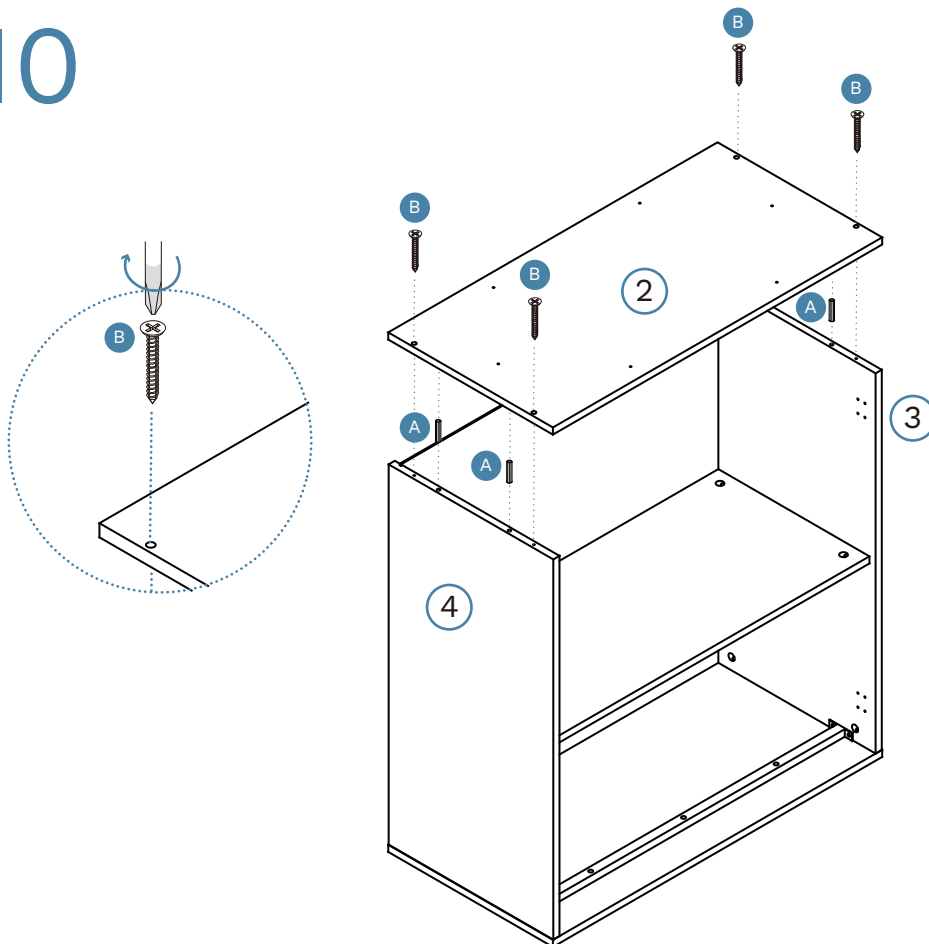
Canyon



Two Door Cabinet

9



10

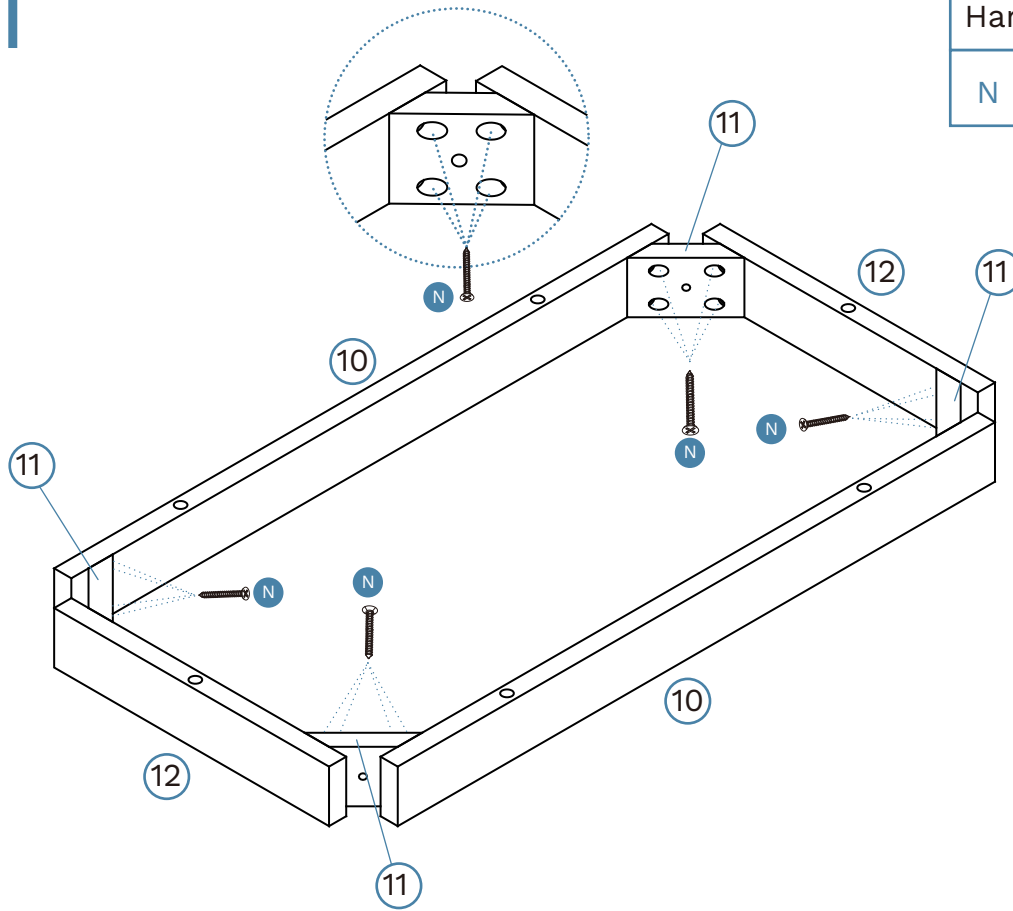



Hardware Needed		
A		x4
B		x4

Canyon

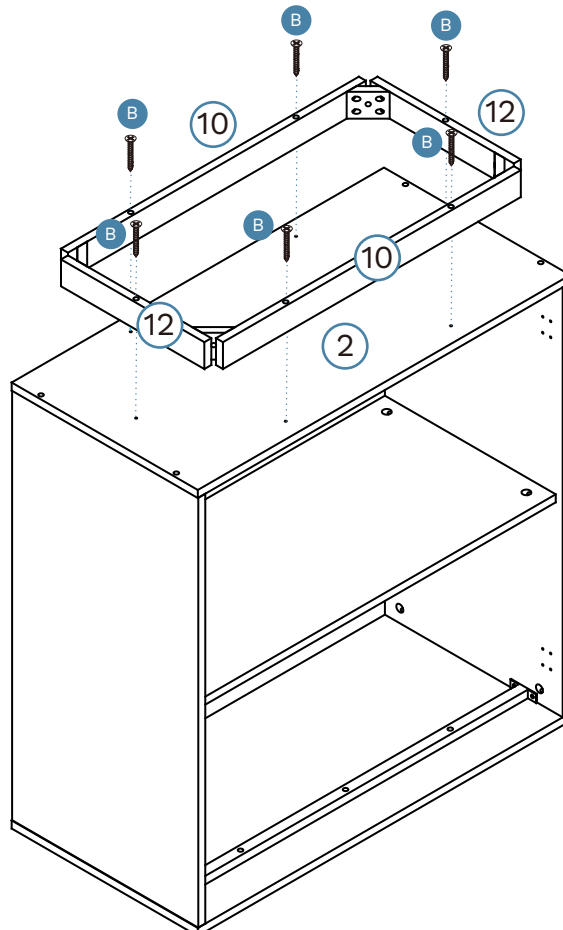
Two Door Cabinet


11



Hardware Needed		
N		x16

12

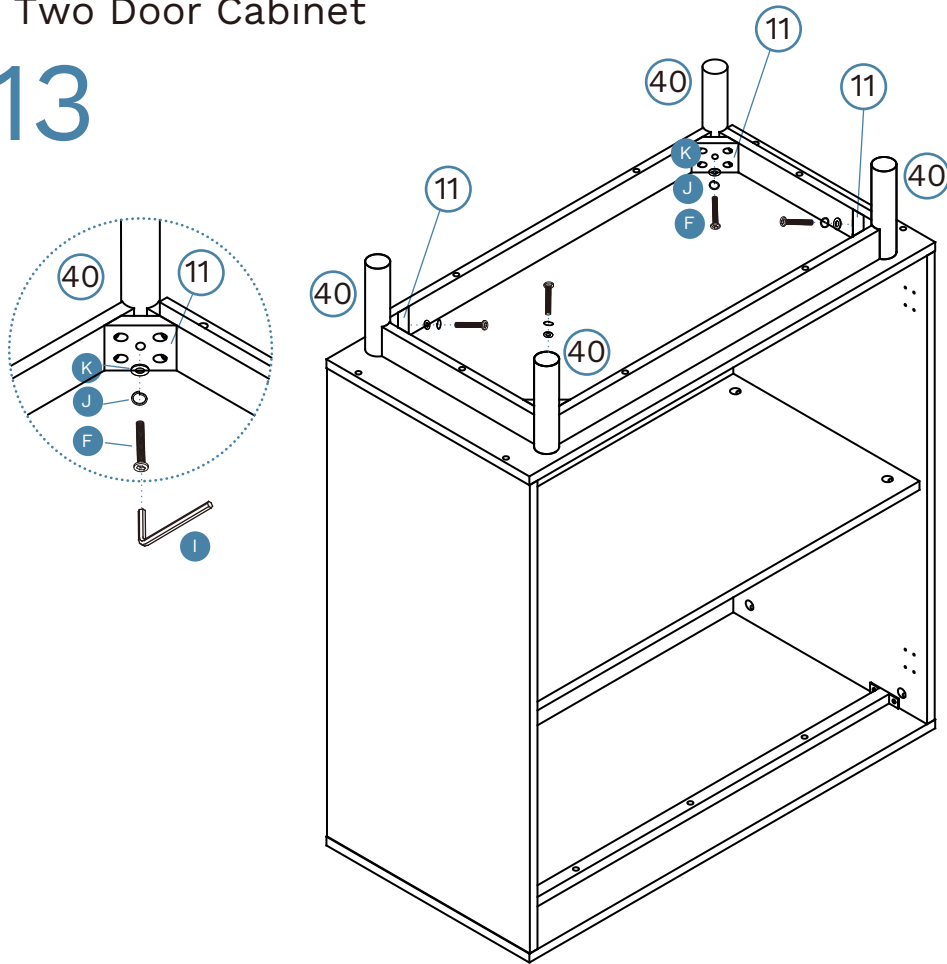



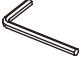


Hardware Needed		
B		x6

Canyon

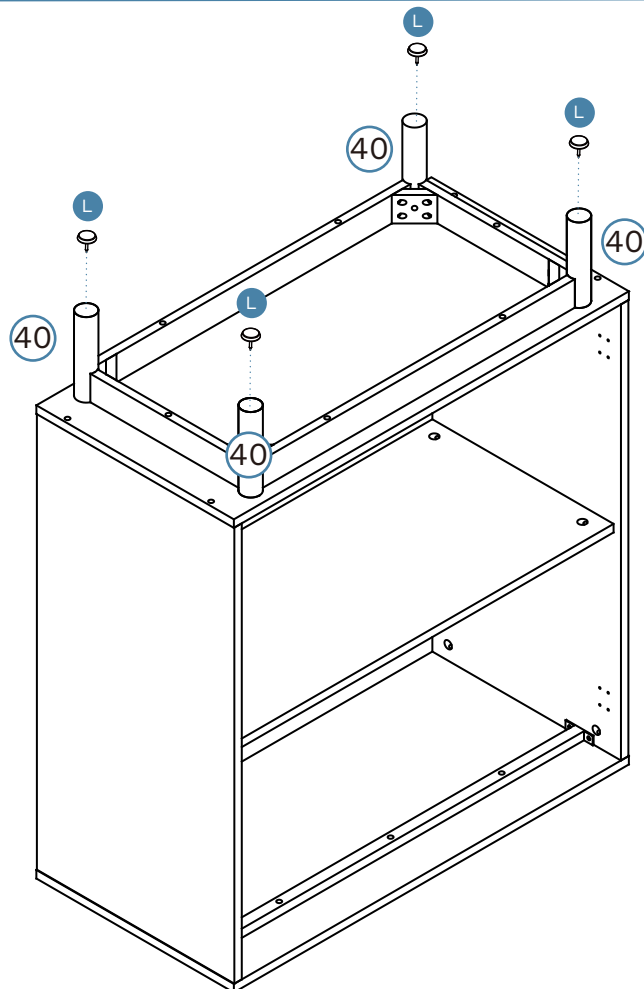
Two Door Cabinet


13

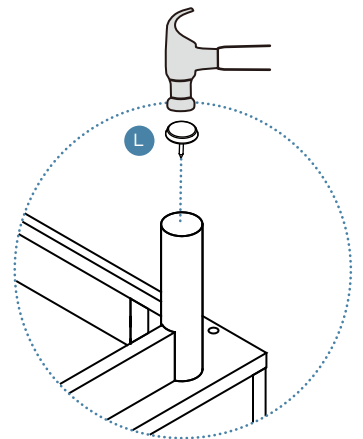


Hardware Needed		
F		x4
I		x1
J		x4
K		x4

14



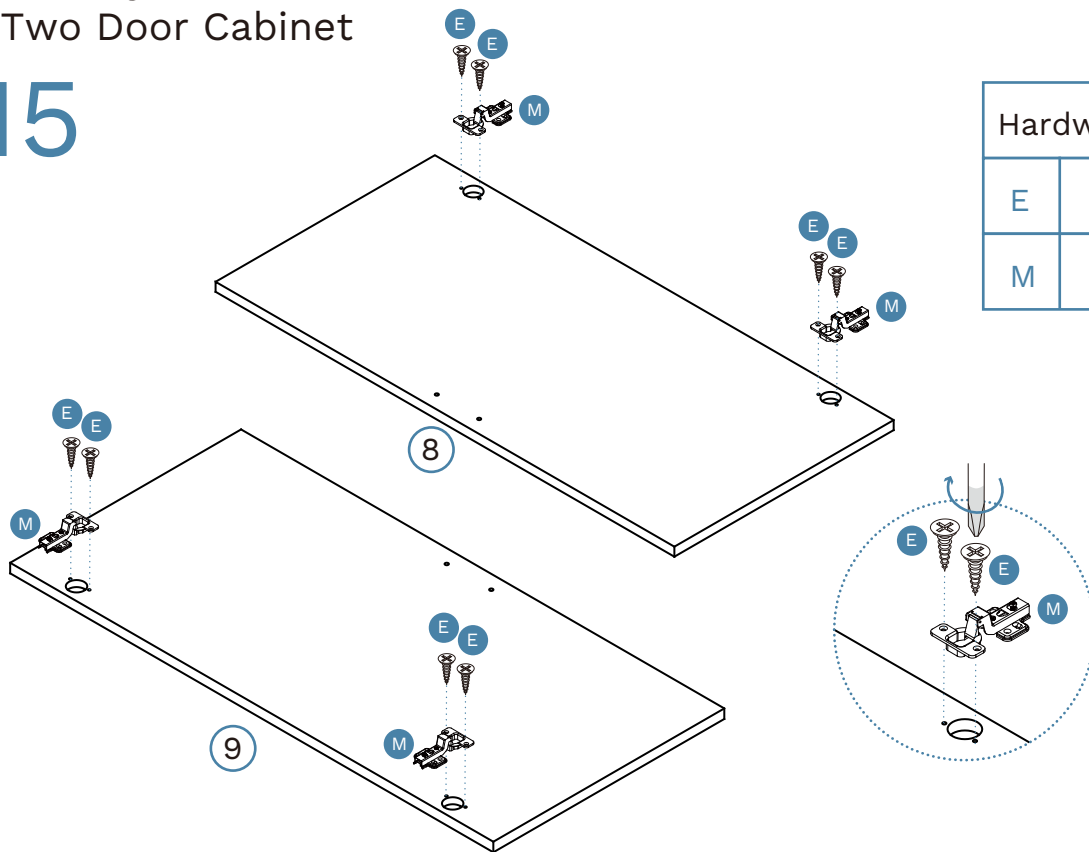
Hardware Needed		
L		x4





Canyon

Two Door Cabinet

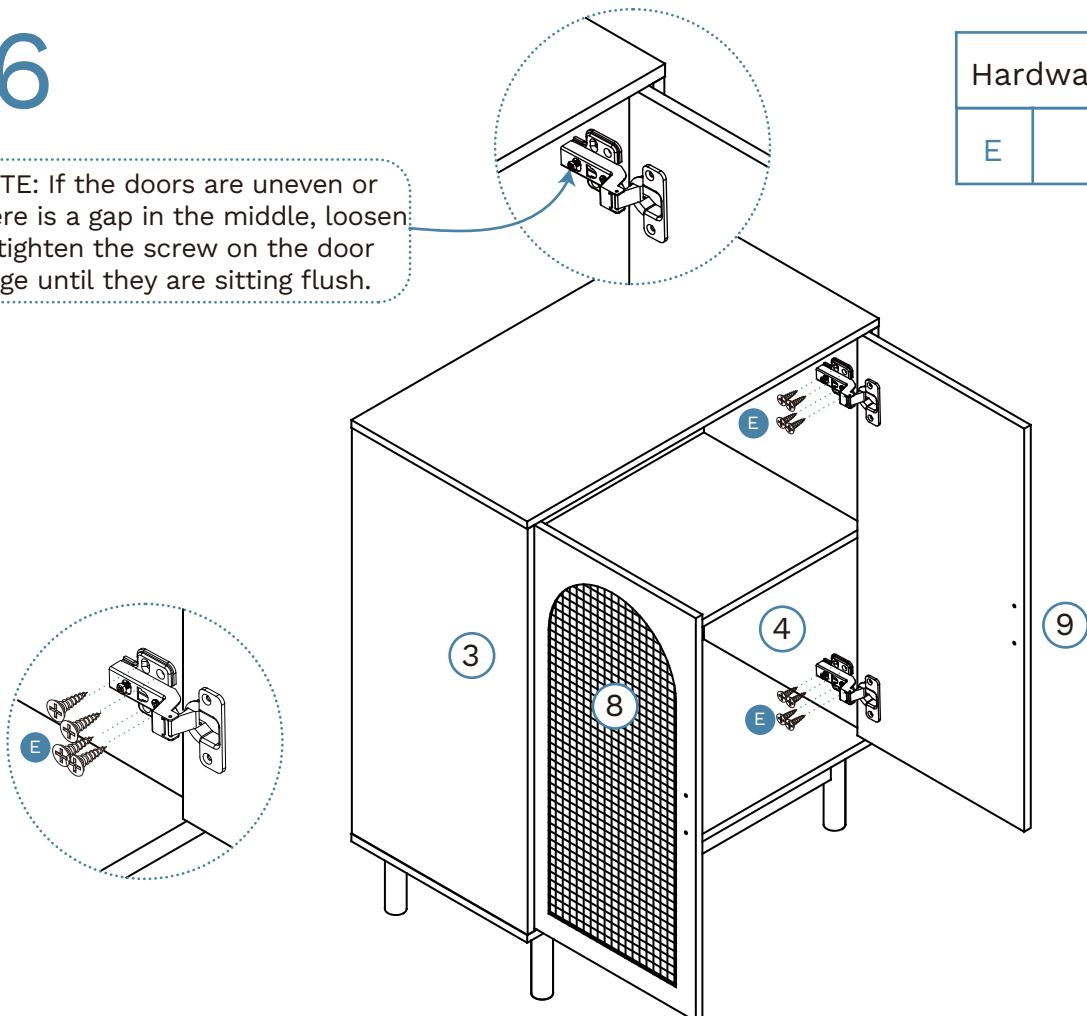
15




Hardware Needed		
E		x8
M		x4

16

NOTE: If the doors are uneven or there is a gap in the middle, loosen or tighten the screw on the door hinge until they are sitting flush.

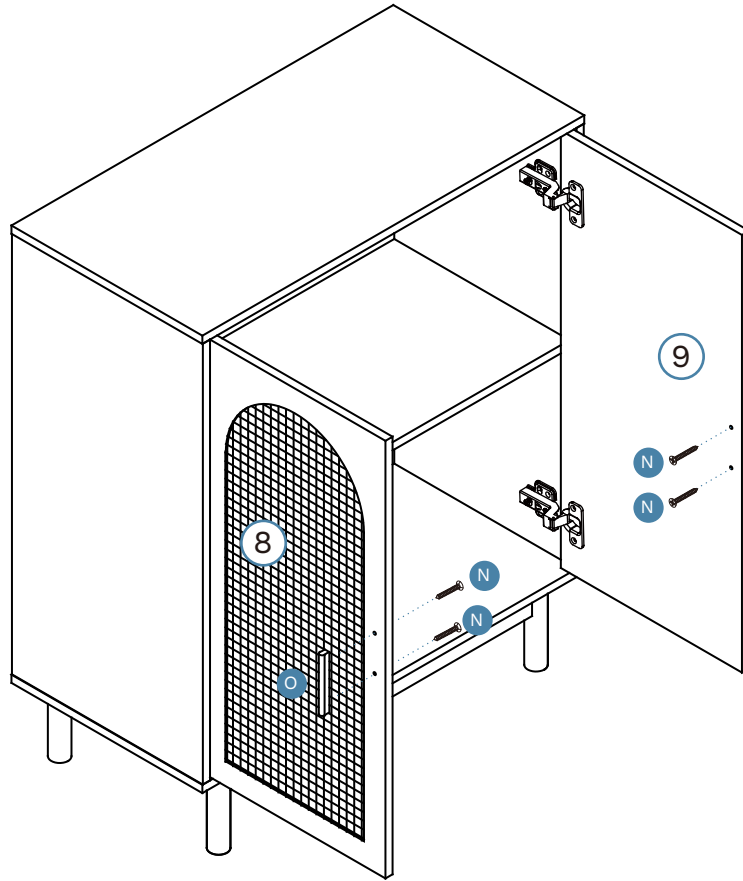


Hardware Needed		
E		x16

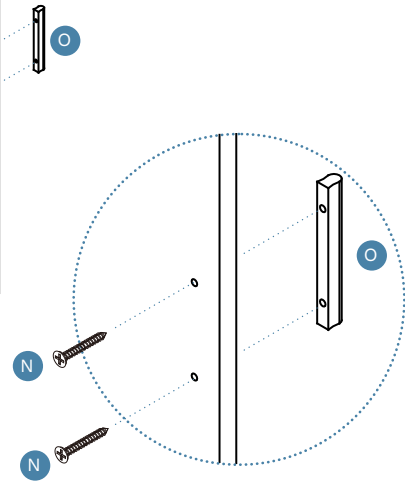
Canyon

Two Door Cabinet

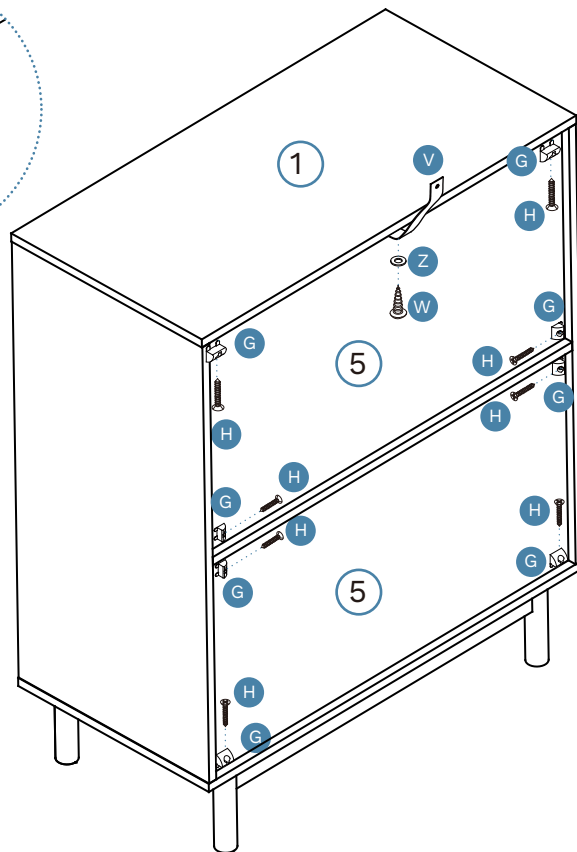
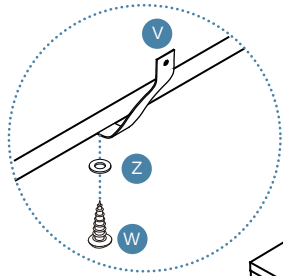
17



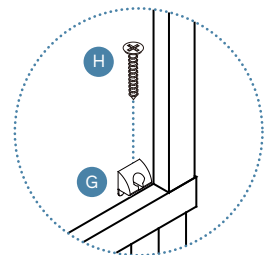
Hardware Needed		
N		x4
O		x2



18



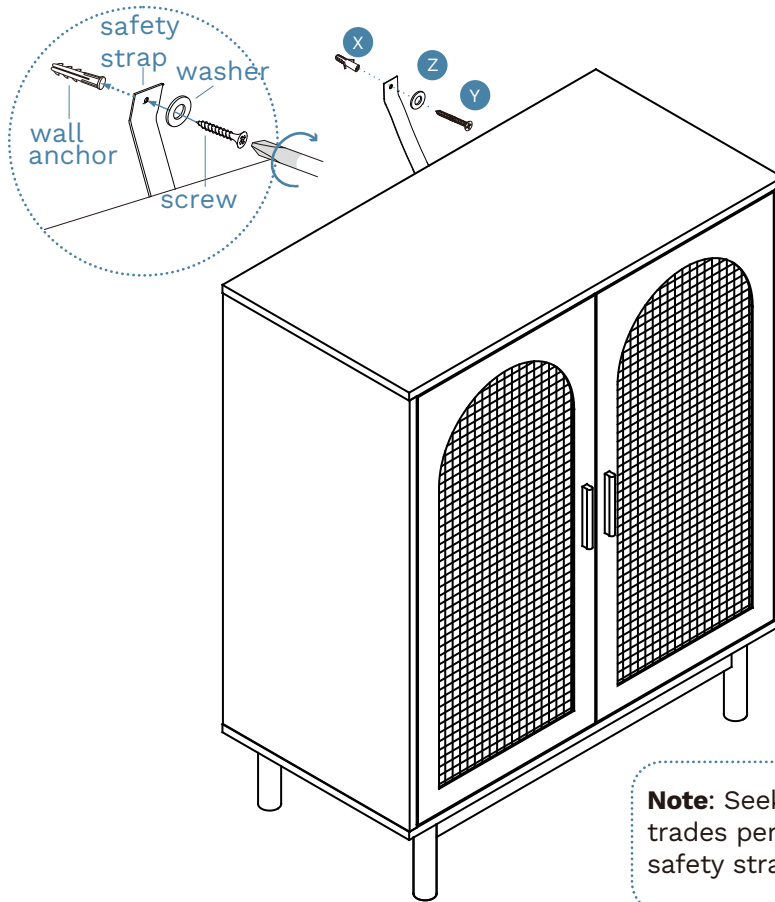
Hardware Needed		
G		x8
H		x8
V		x1
W		x1
Z		x1






Canyon

Two Door Cabinet

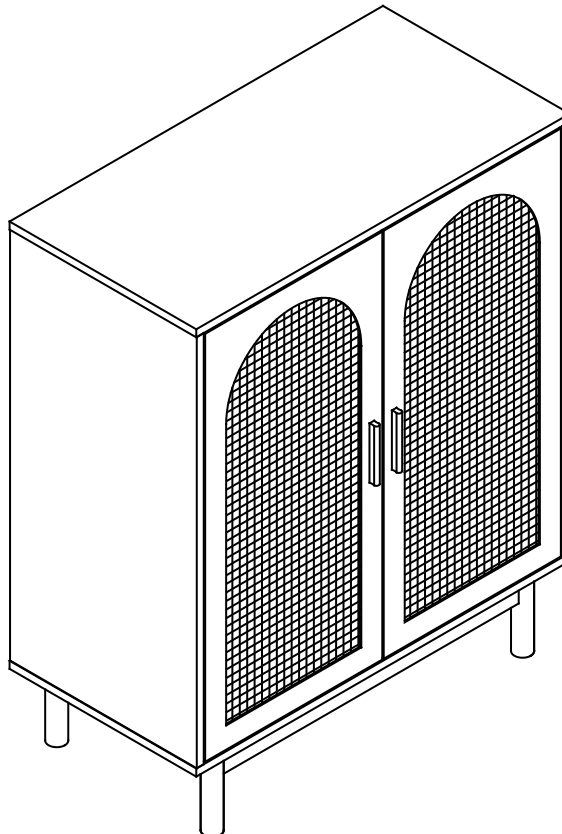
19



Hardware Needed		
X		x1
Y		x1
Z		x1

Note: Seek advice from a qualified trades person on how to attach this safety strap to your specific wall.

20



Once assembled lift furniture into place, do not drag. You're done, enjoy!

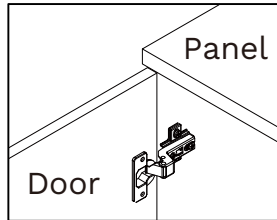
Canyon

Two Door Cabinet

HOW TO ADJUST THE HINGES TO ALIGN THE DOORS IF NEEDED.

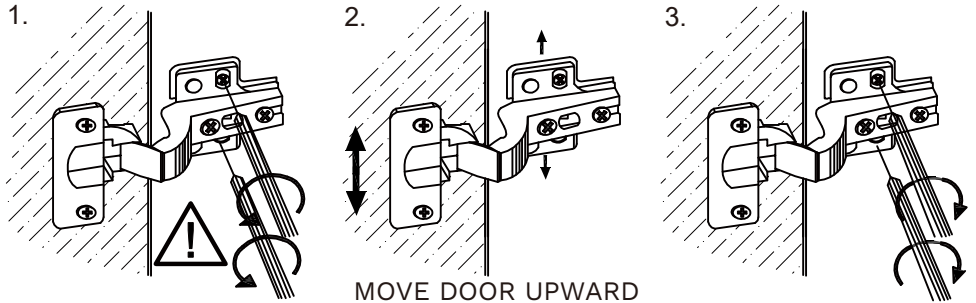
STEP 1

Open the door.



STEP 2

Adjust the door panels upward or downward



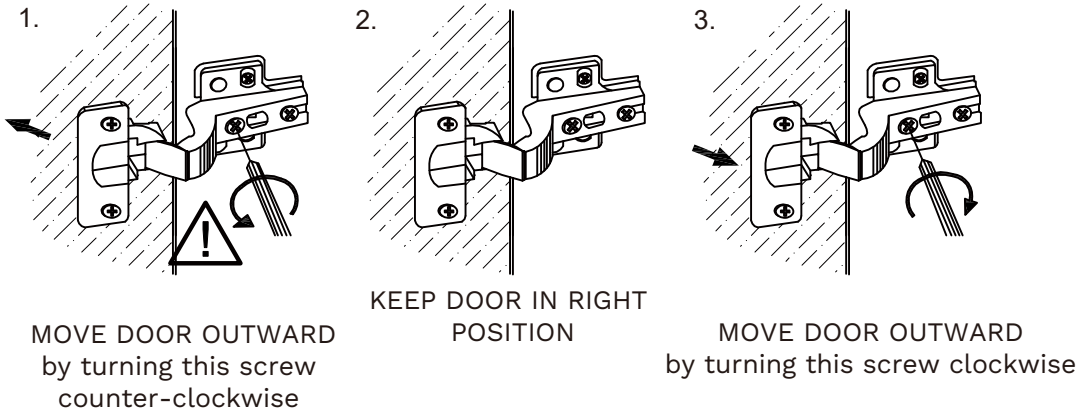
1. Unscrew 2 screws in round holes loosen 2 screws in oval holes a bit.

2. MOVE DOOR UPWARD OR DOWNWARD

3. Tighten 2 screws in oval holes. Screw in 2 screws in round holes

STEP 3

Adjust the flush between door panel and side panel



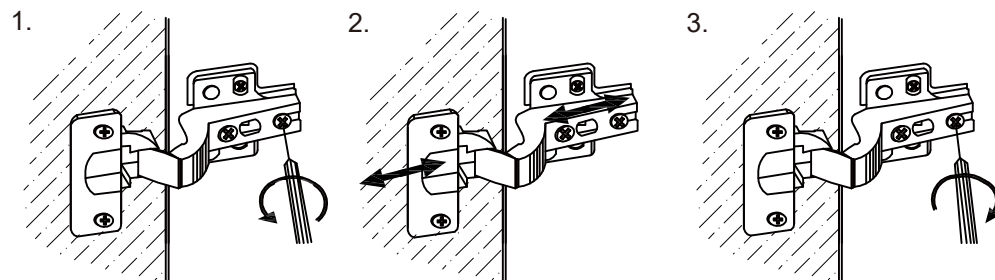
1. MOVE DOOR OUTWARD by turning this screw counter-clockwise

2. KEEP DOOR IN RIGHT POSITION

3. MOVE DOOR OUTWARD by turning this screw clockwise

STEP 4

Adjust the Gap between door panel and side panel



1. Loosen this screw a bit.

2. MOVE DOOR BACK OR FORTH

3. Re-tighten this screw.